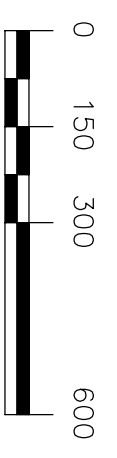
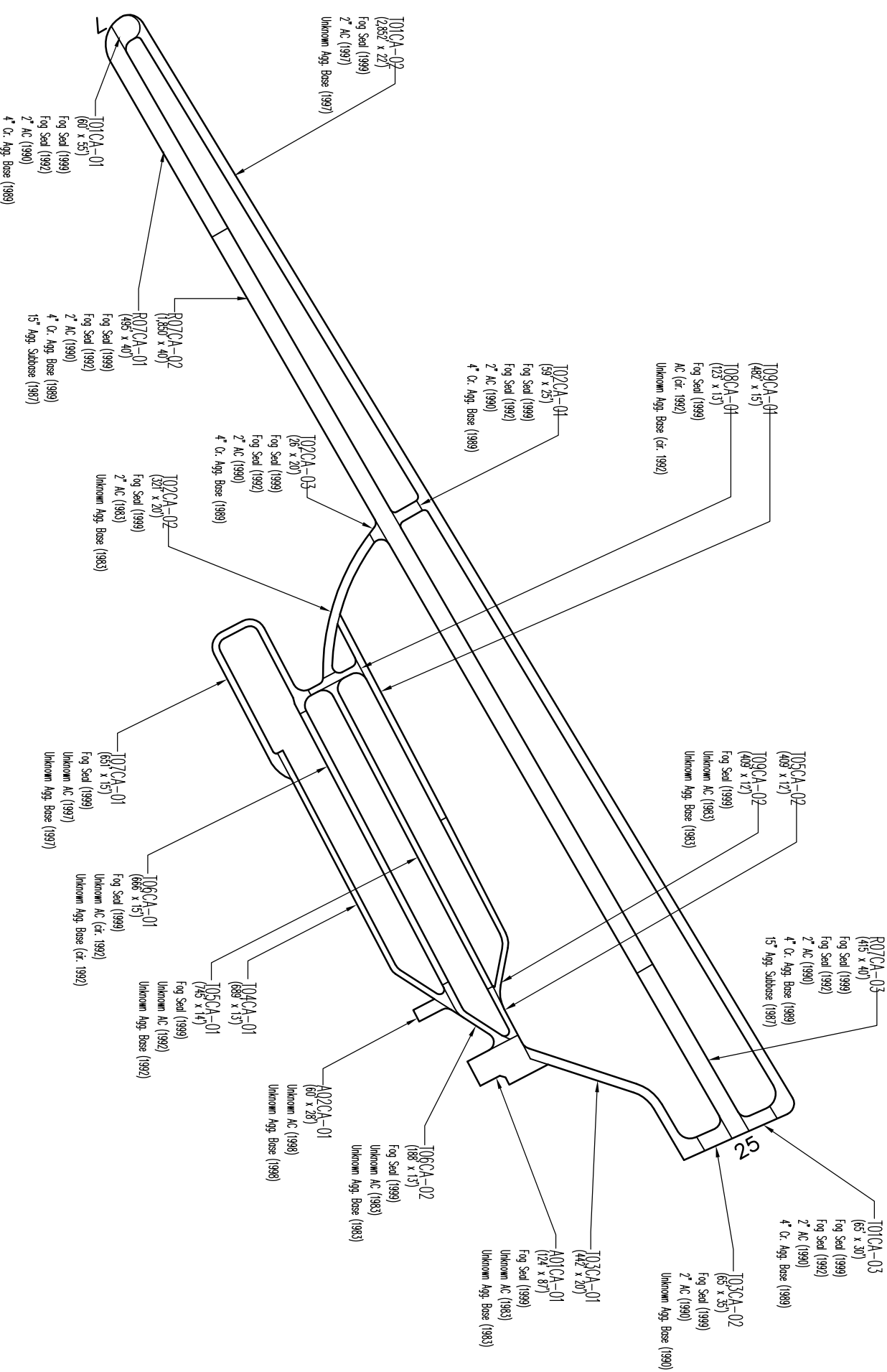


Figure CA-1. Airport Layout, Dimensions and Pavement Cross-Sections. Grove Field



PAVEMENT CONSULTANTS INC.

DESIGNED BY: RMW	CHECKED BY: REA			
DRAWN BY: OMB	APPROVED BY:			
LAST EDIT: 02/28/05	PLOT DATE: 06/29/07			
DATE	BY	REV#	REVISION	CR/D/APP#

W&P
PAVED
 3360 Monte Villa Parkway
 Bothell, Washington 98021-8972
 (425)961-4800
 (425)961-4808
 wjpaed@comcast.net

Planners • Engineers • Surveyors • Landscape Architects

Washington State
Department of Transportation

WSDOT AVIATION DIVISION
 GROVE FIELD AIRPORT
**AIRPORT LAYOUT, DIMENSIONS, AND
 PAVEMENT CROSS SECTIONS**

CAMAS
 SCALE: **1" = 300'**

PROJECT NO. **32105**

DRAWING FILE NAME: **32105-airp-ex1C**

1C SHEET
 WASHINGTON